

Verso-L Series

VERSO stands for versatility, being able to adapt into remarkably wide range of retail spaces. With adjustable power and lumen packages, interchangeable optics, and variety of light colors, it is designed to cater all LED lighting needs for retail sector and commercial premises. Crafted with precision and attention to detail, this lighting tool combines extreme versatility with performance and stylish design. Installation to 3-Circuit tracks and orientation to store merchandise is made easy by 355° rotation and 90° vertical adjustability.

Advanced Performance Optics

Advanced light performance lens technology enables high luminous intensity and uniform light distribution without color drift. Precise optical control with total internal reflectivity are key in creating contrast for different areas in retail store.

Interchangeable Optics

The optics within and between Verso -L and -R are easily interchangeable by twist lock front-ring:

- The “-L” version uses sophisticated TIR lens technology for more concentrated light, delivering uniform light cone without color drift within the beam.
- The “-R” version uses a highly reflective, efficient aluminium reflector.

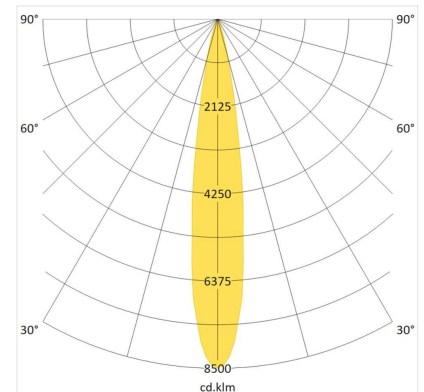
Verso-L is available with honeycomb accessory.

Technical Family Data

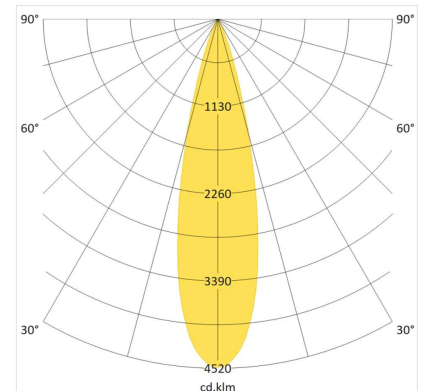
Power Range	11 – 44W (Dip Switch 300–1050mA)
Installation	3-Circuit Tracks
Connection	220-240Vac, 50/60Hz
Control Types	On/Off, Dimmable by Request
Color Tolerance	2-SDCM
Optics	Diamond Facet TIR Lens: Spot 16°, Narrow 25°, Flood 38°
Lumen Maintenance	L90B50 >50.000h, L80B10 >60.000h
Material	Powder Coated Die Cast Aluminium
Protection	Class II, IP 20
Weight	~920g
Colors	White, Black



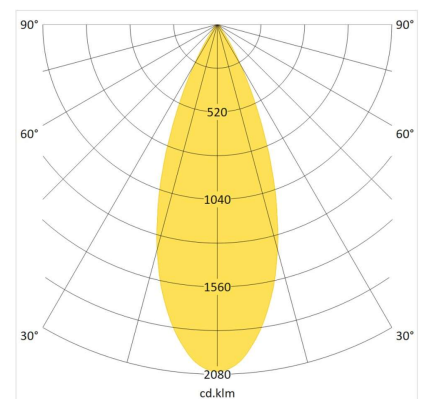
Light Distribution



Spot 16°

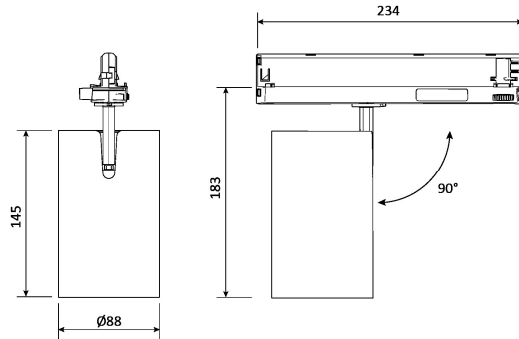


Narrow 25°



Flood 38°

Dimensional Sketch



Technical Performance Table

LED Type*	Input Current	COB Flux	COB Power	System Flux**	Total Consumption
CRI90+ 2700K Below BBL Warm White	1050mA	3900 Lm	38,5 W	3400 Lm	44,3 W
	850mA	3350 Lm	30,6 W	2900 Lm	35,2 W
	650mA	2700 Lm	22,8 W	2350 Lm	26,2 W
	400mA	1750 Lm	13,6 W	1500 Lm	15,6 W
	300mA	1350 Lm	10,0 W	1150 Lm	11,5 W
CRI90+ 3000K Below BBL Clean White	1050mA	4100 Lm	38,5 W	3550 Lm	44,3 W
	850mA	3500 Lm	30,6 W	3000 Lm	35,2 W
	650mA	2800 Lm	22,8 W	2450 Lm	26,2 W
	400mA	1850 Lm	13,6 W	1600 Lm	15,6 W
	300mA	1400 Lm	10,0 W	1200 Lm	11,5 W
CRI90+ 3500K Below BBL	1050mA	4150 Lm	38,5 W	3600 Lm	44,3 W
	850mA	3550 Lm	30,6 W	3050 Lm	35,2 W
	650mA	2850 Lm	22,8 W	2450 Lm	26,2 W
	400mA	1850 Lm	13,6 W	1600 Lm	15,6 W
	300mA	1450 Lm	10,0 W	1250 Lm	11,5 W
CRI90+ 4000K Cold White	1050mA	4350 Lm	38,5 W	3800 Lm	44,3 W
	850mA	3700 Lm	30,6 W	3200 Lm	35,2 W
	650mA	3000 Lm	22,8 W	2600 Lm	26,2 W
	400mA	1950 Lm	13,6 W	1700 Lm	15,6 W
	300mA	1500 Lm	10,0 W	1300 Lm	11,5 W
CRI80+ 3000K	1050mA	5000 Lm	38,5 W	4350 Lm	44,3 W
	850mA	4300 Lm	30,6 W	3700 Lm	35,2 W
	650mA	3450 Lm	22,8 W	3000 Lm	26,2 W
	400mA	2250 Lm	13,6 W	1950 Lm	15,6 W
	300mA	1750 Lm	10,0 W	1500 Lm	11,5 W
CRI80+ 4000K	1050mA	5150 Lm	38,5 W	4450 Lm	44,3 W
	850mA	4400 Lm	30,6 W	3800 Lm	35,2 W
	650mA	3550 Lm	22,8 W	3050 Lm	26,2 W
	400mA	2300 Lm	13,6 W	2000 Lm	15,6 W
	300mA	1750 Lm	10,0 W	1550 Lm	11,5 W

*Other light sources (Meat, Bakery) upon request. Light source EPREL energy efficiency class D (CRI80+ 3000K, 4000K), E (CRI90+ 3000K, 3500K, 4000K).

**System flux based on spot light distribution

Product Family Imagery

