



Nimbo-R Series

With its sleek cylindrical design, this nimble track light merges into its environment. Stylish Nimbo is small, and yet powerful lighting tool. Specifically engineered to cater the illumination needs of various retail spaces, Nimbo offers the perfect blend of versatility, flexibility, and efficiency whether you're looking to highlight your products, create a warm ambiance, or provide task lighting.

Installation to 3-Circuit tracks and orientation to store merchandise is made easy by 355° rotation and 90° vertical adjustability.

Interchangeable Optics

The optics within and between Nimbo -R and -L are easily interchangeable by twist lock front-ring:

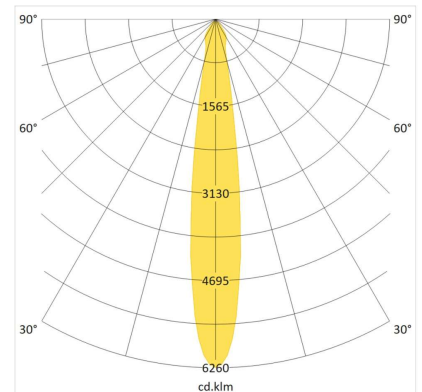
- The "-R" version uses a highly reflective, efficient aluminium reflector.
- The "-L" version uses sophisticated TIR lens technology for more concentrated light, delivering uniform light cone without color drift within the beam.

Nimbo-R is supplied with protective cover glass and is available with honeycomb accessory.

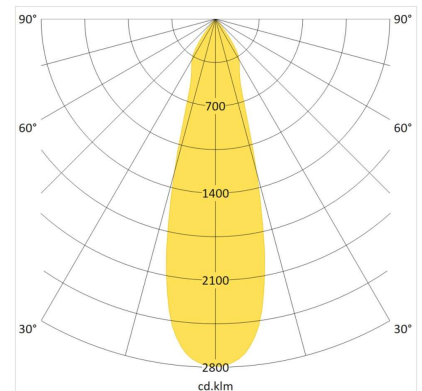
Technical Family Data

Power Range	21 – 30W (Dip Switch: 550 – 750mA)
Installation	3-Circuit Tracks
Connection	220-240Vac, 50/60Hz
Control Types	On/Off, Dimmable by Request
Color Tolerance	2-SDCM
Optics	High Efficiency Reflector: Spot 15°, Narrow 28°, Flood 37°
Lumen Maintenance	L90B50 >50.000h, L80B10 >60.000h
Material	Powder Coated Die Cast Aluminium
Protection	Class II, IP 20
Weight	~730g
Colors	White, Black

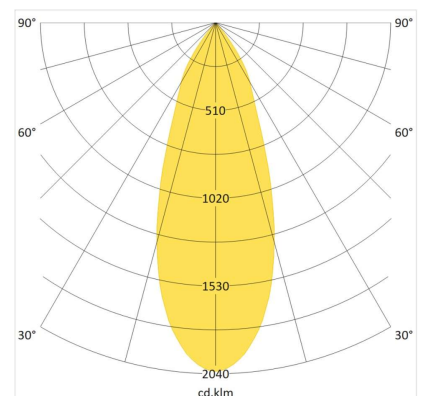
Light Distribution



Spot 15°

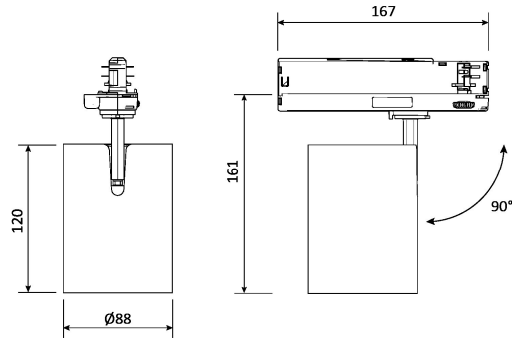


Narrow 28°



Flood 37°

Dimensional Sketch



Technical Performance Table

LED Type*	Input Current	COB Flux	COB Power	System Flux**	Total Consumption
CRI90+ 2700K Below BBL Warm White	750mA	2950 Lm	26,4 W	2650 Lm	30,3 W
	600mA	2450 Lm	20,7 W	2200 Lm	23,7 W
	550mA	2250 Lm	18,9 W	2050 Lm	21,7 W
CRI90+ 3000K Below BBL Clean White	750mA	3050 Lm	26,4 W	2750 Lm	30,3 W
	600mA	2500 Lm	20,7 W	2250 Lm	23,7 W
	550mA	2350 Lm	18,9 W	2100 Lm	21,7 W
CRI90+ 3500K Below BBL	750mA	3100 Lm	26,4 W	2750 Lm	30,3 W
	600mA	2550 Lm	20,7 W	2300 Lm	23,7 W
	550mA	2400 Lm	18,9 W	2150 Lm	21,7 W
CRI90+ 4000K Cold White	750mA	3250 Lm	26,4 W	2900 Lm	30,3 W
	600mA	2700 Lm	20,7 W	2400 Lm	23,7 W
	550mA	2500 Lm	18,9 W	2250 Lm	21,7 W
CRI80+ 3000K	750mA	3750 Lm	26,4 W	3350 Lm	30,3 W
	600mA	3100 Lm	20,7 W	2800 Lm	23,7 W
	550mA	2900 Lm	18,9 W	2600 Lm	21,7 W
CRI80+ 4000K	750mA	3850 Lm	26,4 W	3450 Lm	30,3 W
	600mA	3200 Lm	20,7 W	2850 Lm	23,7 W
	550mA	2950 Lm	18,9 W	2650 Lm	21,7 W

*Other light sources (Meat, Bakery) upon request. Light source EPREL energy efficiency class D (CRI80+ 3000K, 4000K), E (CRI90+ 3000K, 3500K, 4000K).

**System flux based on spot light distribution

Product Family Imagery

