



Nimbo-L HE Series

With its sleek cylindrical design, this nimble track light merges into its environment. Specifically engineered to cater the illumination needs of various retail spaces, Nimbo offers the perfect blend of versatility, flexibility, and efficiency.

Installation to 3-Circuit tracks and orientation to store merchandise is made easy by 355° rotation and 90° vertical adjustability.

Best Balance in Efficacy and Light Color

HE stands for High Efficiency, delivering best-in-class energy efficiency at CRI90+ Below BBL Efficient White light. Check eligibility for energy efficiency subsidy from your local government.

Interchangeable Optics

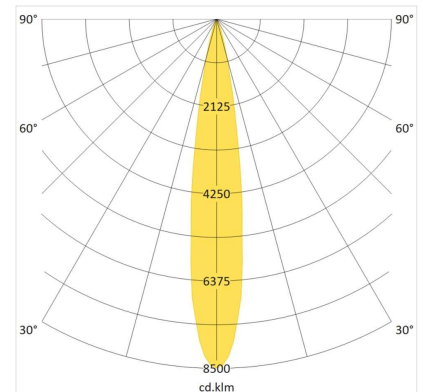
The optics within and between Nimbo -L and -R are easily interchangeable by twist lock front-ring:

- The “-L” version uses sophisticated TIR lens technology for more concentrated light, delivering uniform light cone without color drift within the beam.
- The “-R” version uses a highly reflective, efficient aluminium reflector. Nimbo-L is available with honeycomb accessory.

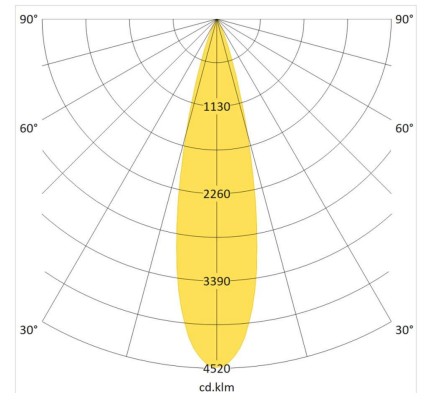
Technical Family Data

Power Range	21-30W (Dip Switch: 550 – 750mA)
Installation	3-Circuit Tracks
Connection	220-240Vac, 50/60Hz
Control Types	On/Off, Dimmable by Request
Color Tolerance	2-SDCM
Optics	Diamond Facet TIR Lens: Spot 16°, Narrow 25°, Flood 38°
Lumen Maintenance	L90B50 >50.000h, L80B10 >60.000h
Material	Powder Coated Die Cast Aluminium
Protection	Class II, IP 20
Weight	~760g
Colors	White, Black

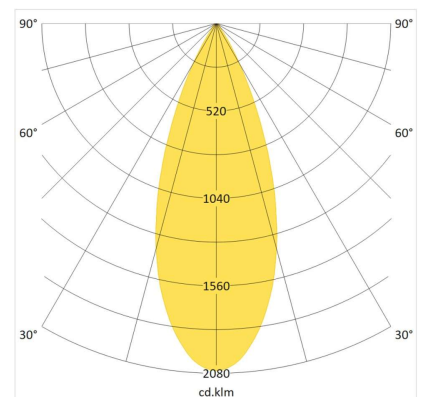
Light Distribution



Spot 16°

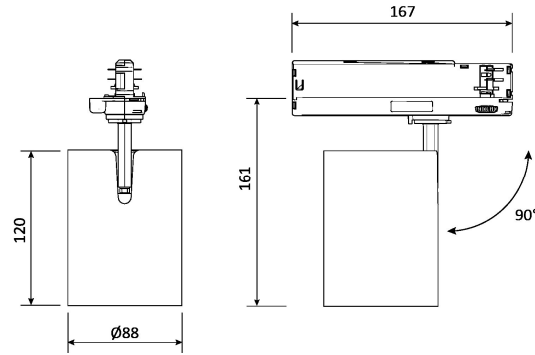


Narrow 25°



Flood 38°

Dimensional Sketch



Technical Performance Table

LED Type*	Input Current	COB Flux	COB Power	System Flux**	Total Consumption
CRI90+ 3000K Below BBL Efficient White	750mA	4050 Lm	26,0 W	3500 Lm	29,9 W
	600mA	3300 Lm	20,4 W	2850 Lm	23,4 W
	550mA	3100 Lm	18,6 W	2650 Lm	21,4 W
CRI90+ 3500K Below BBL Efficient White	750mA	4150 Lm	26,0 W	3600 Lm	29,9 W
	600mA	3400 Lm	20,4 W	2950 Lm	23,4 W
	550mA	3150 Lm	18,6 W	2750 Lm	21,4 W
CRI90+ 4000K Efficient Cool	750mA	4250 Lm	26,0 W	3700 Lm	29,9 W
	600mA	3500 Lm	20,4 W	3000 Lm	23,4 W
	550mA	3250 Lm	18,6 W	2800 Lm	21,4 W

*Light source EPREL energy efficiency class D (CRI90+ 3000K, 3500K, 4000K)

**System flux based on spot light distribution

Product Family Imagery

