



# Nimbo-L Series

With its sleek cylindrical design, this nimble track light merges into its environment. Specifically engineered to cater the illumination needs of various retail spaces, Nimbo offers the perfect blend of versatility, flexibility, and efficiency whether you're looking to highlight your products, create a warm ambiance, or provide task lighting. Installation to 3-Circuit tracks and orientation to store merchandise is made easy by 355° rotation and 90° vertical adjustability.

## Advanced Performance

Advanced light performance lens technology enables high luminous intensity and uniform light distribution without color drift. Precise optical control with high internal reflectivity are key in creating contrast for different products in a retail store.

## Interchangeable Optics

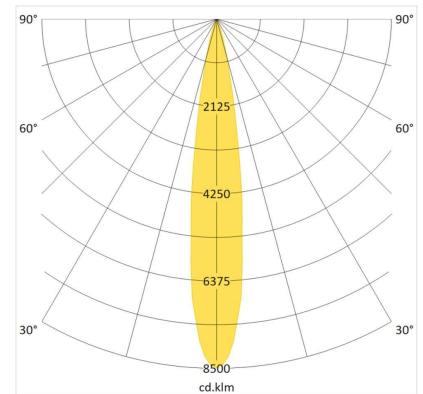
The optics within and between Nimbo -L and -R are easily interchangeable by twist lock front-ring:

- The “-L” version uses sophisticated TIR lens technology for more concentrated light, delivering uniform light cone without color drift within the beam.
- The “-R” version uses a highly reflective, efficient aluminium reflector. Nimbo-L is available with honeycomb accessory.

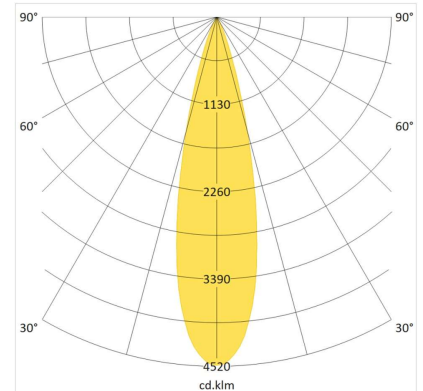
## Technical Family Data

<b>Power Range</b>	21 – 30W (Dip Switch: 550 – 750mA)
<b>Installation</b>	3-Circuit Tracks
<b>Connection</b>	220-240Vac, 50/60Hz
<b>Control Types</b>	On/Off, Dimmable by Request
<b>Color Tolerance</b>	2-SDCM
<b>Optics</b>	Diamond Facet TIR Lens: Spot 16°, Narrow 25°, Flood 38°
<b>Lumen Maintenance</b>	L90B50 >50.000h, L80B10 >60.000h
<b>Material</b>	Powder Coated Die Cast Aluminium
<b>Protection</b>	Class II, IP 20
<b>Weight</b>	~760g
<b>Colors</b>	White, Black

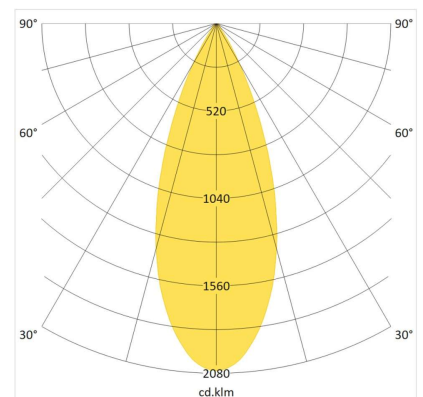
## Light Distribution



Spot 16°

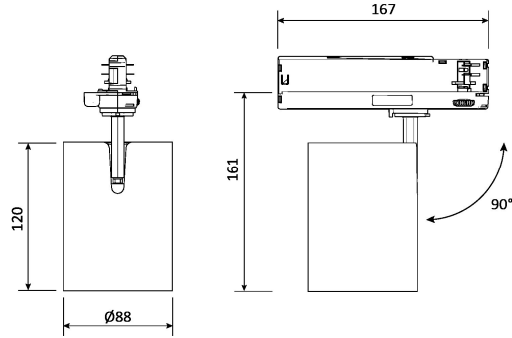


Narrow 25°



Flood 38°

## Dimensional Sketch



## Technical Performance Table

LED Type*	Input Current	COB Flux	COB Power	System Flux**	Total Consumption
CRI90+ 2700K Below BBL Warm White	750mA	2950 Lm	26,4 W	2600 Lm	30,3 W
	600mA	2450 Lm	20,7 W	2150 Lm	23,7 W
	550mA	2250 Lm	18,9 W	2000 Lm	21,7 W
CRI90+ 3000K Below BBL Clean White	750mA	3050 Lm	26,4 W	2650 Lm	30,3 W
	600mA	2500 Lm	20,7 W	2500 Lm	23,7 W
	550mA	2350 Lm	18,9 W	2050 Lm	21,7 W
CRI90+ 3500K Below BBL	750mA	3100 Lm	26,4 W	2700 Lm	30,3 W
	600mA	2550 Lm	20,7 W	2200 Lm	23,7 W
	550mA	2400 Lm	18,9 W	2050 Lm	21,7 W
CRI90+ 4000K Cold White	750mA	3250 Lm	26,4 W	2800 Lm	30,3 W
	600mA	2700 Lm	20,7 W	2350 Lm	23,7 W
	550mA	2500 Lm	18,9 W	2200 Lm	21,7 W
CRI80+ 3000K	750mA	3750 Lm	26,4 W	3250 Lm	30,3 W
	600mA	3100 Lm	20,7 W	2700 Lm	23,7 W
	550mA	2900 Lm	18,9 W	2500 Lm	21,7 W
CRI80+ 4000K	750mA	3850 Lm	26,4 W	3350 Lm	30,3 W
	600mA	3200 Lm	20,7 W	2750 Lm	23,7 W
	550mA	2950 Lm	18,9 W	2600 Lm	21,7 W

\*Other light sources (Meat, Bakery) upon request. Light source EPREL energy efficiency class D (CRI80+ 3000K, 4000K), E (CRI90+ 3000K, 3500K, 4000K).

\*\*System flux based on spot light distribution

Product Family Imagery

