



# Hilo-R Mini Series

Versatile, recessed downlight Hilo Mini is designed to bring both functionality and style to your retail space. When swiveled, it functions as a powerful accent lighting tool or a wall washer and when flush, it offers comfortable, yet powerful general light. With adjustable power and lumen packages, interchangeable optics, and variety of light colors, it is designed to cater all LED lighting needs for retail sector and commercial premises.

### Powerful yet Discreet

Crafted with precision and attention to detail, Hilo-R Mini downlight is the perfect combination of style and performance. Albeit being visually discreet, it's efficient cooling allows a powerful max. light output, up to 3450Lm.

### Interchangeable Optics

The optics within and between Hilo-R Mini and Hilo-L Mini are easily interchangeable by twist lock front-ring:

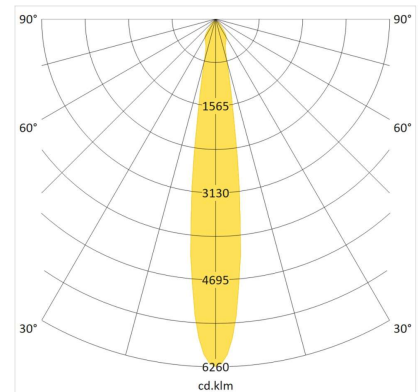
- The “-R” version uses a highly reflective, efficient aluminium reflector.
- The “-L” version uses sophisticated TIR lens technology for more concentrated light, delivering uniform light cone without color drift within the beam.

Hilo-R Mini is supplied with protective cover glass and is available with honeycomb accessory.

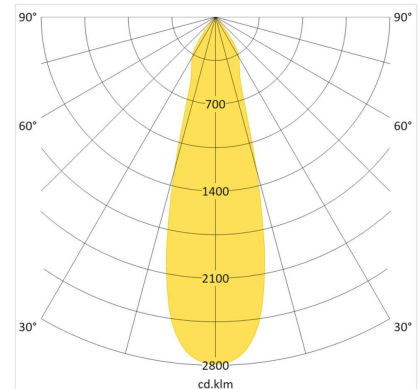
### Technical Family Data

<b>Power Range</b>	11 – 29W (Dip Switch: 300 – 750mA)
<b>Installation</b>	Recessed, Ceiling Mounted
<b>Connection</b>	220-240Vac, 50/60Hz
<b>Control Types</b>	On/Off, Dimmable by Request
<b>Color Tolerance</b>	2-SDCM
<b>Optics</b>	High Efficiency Reflector: Spot 15°, Narrow 28°, Flood 37°
<b>Lumen Maintenance</b>	L90B50 >50.000h, L80B10 >60.000h
<b>Material</b>	Powder Coated Die Cast Aluminium
<b>Protection</b>	Class I, IP 20
<b>Weight</b>	~710g
<b>Colors</b>	White, Black

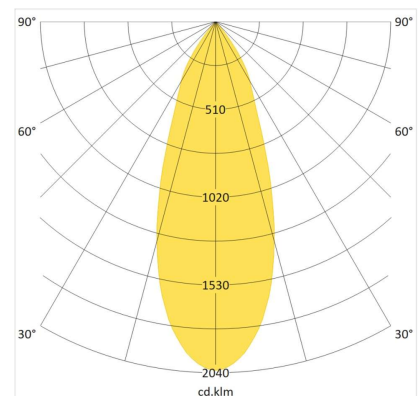
### Light Distribution



Spot 15°

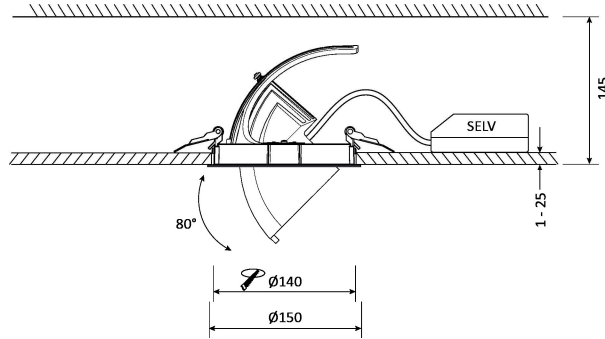


Narrow 28°



Flood 37°

## Dimensional Sketch



## Technical Performance Table

LED Type*	Input Current	COB Flux	COB Power	System Flux**	Total Consumption
CRI90+ 2700K Below BBL Warm White	750mA	2950 Lm	26,4 W	2650 Lm	29,3 W
	650mA	2650 Lm	22,7 W	2350 Lm	25,2 W
	400mA	1750 Lm	13,5 W	1550 Lm	15,0 W
	300mA	1350 Lm	10,0 W	1200 Lm	11,1 W
CRI90+ 3000K Below BBL Clean White	750mA	3050 Lm	26,4 W	2750 Lm	29,3 W
	650mA	2750 Lm	22,7 W	2450 Lm	25,2 W
	400mA	1800 Lm	13,5 W	1600 Lm	15,0 W
	300mA	1400 Lm	10,0 W	1250 Lm	11,1 W
CRI90+ 3500K Below BBL	750mA	3100 Lm	26,4 W	2750 Lm	29,3 W
	650mA	2800 Lm	22,7 W	2500 Lm	25,2 W
	400mA	1800 Lm	13,5 W	1650 Lm	15,0 W
	300mA	1400 Lm	10,0 W	1250 Lm	11,1 W
CRI90+ 4000K Cold White	750mA	3250 Lm	26,4 W	2900 Lm	29,3 W
	650mA	2950 Lm	22,7 W	2650 Lm	25,2 W
	400mA	1900 Lm	13,5 W	1700 Lm	15,0 W
	300mA	1500 Lm	10,0 W	1350 Lm	11,1 W
CRI80+ 3000K	750mA	3750 Lm	26,4 W	3350 Lm	29,3 W
	650mA	3350 Lm	22,7 W	3000 Lm	25,2 W
	400mA	2200 Lm	13,5 W	2000 Lm	15,0 W
	300mA	1700 Lm	10,0 W	1550 Lm	11,1 W
CRI80+ 4000K	750mA	3850 Lm	26,4 W	3450 Lm	29,3 W
	650mA	3450 Lm	22,7 W	3100 Lm	25,2 W
	400mA	2250 Lm	13,5 W	2050 Lm	15,0 W
	300mA	1750 Lm	10,0 W	1600 Lm	11,1 W

\*Other light sources (Meat, Bakery) upon request. Light source EPREL energy efficiency class D (CRI80+ 3000K, 4000K), E (CRI90+ 3000K, 3500K, 4000K).

\*\*System flux based on spot light distribution

Product Family Imagery

