



# Hilo-L Mini HE Series

Versatile, recessed downlight Hilo Mini is designed to bring both functionality and style to your retail space. When swiveled, it functions as a powerful accent lighting tool or a wall washer and when flush, it offers comfortable, yet powerful general light. With adjustable power and lumen packages, interchangeable optics, and variety of light colors, it is designed to cater all LED lighting needs for retail sector and commercial premises.

### Powerful yet Discreet

Crafted with precision and attention to detail, Hilo-L Mini downlight is the perfect combination of style and performance. Powered by the latest High Efficiency light source generation, the HE version delivers best-in-class energy efficiency at CRI90+ Below BBL.

### Interchangeable Optics

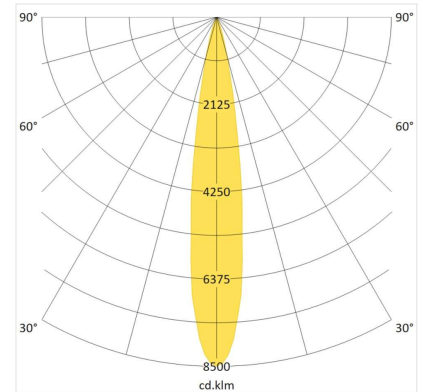
The optics within and between Hilo-L Mini and Hilo-R Mini are easily interchangeable by twist lock front-ring:

- The “-L” version uses sophisticated TIR lens technology for more concentrated light, delivering uniform light cone without color drift within the beam.
- The “-R” version uses a highly reflective, efficient aluminium reflector. Hilo-L Mini HE is available with honeycomb accessory.

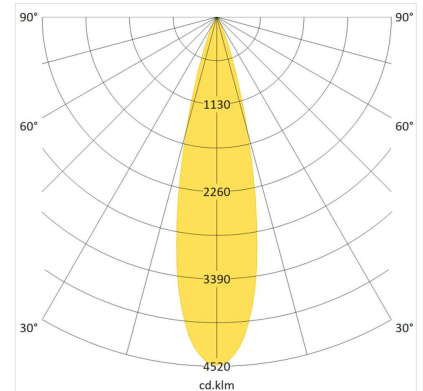
### Technical Family Data

<b>Power Range</b>	11 – 29W (Dip Switch: 300 – 750mA)
<b>Installation</b>	Recessed, Ceiling Mounted
<b>Connection</b>	220-240Vac, 50/60Hz
<b>Control Types</b>	On/Off, Dimmable by Request
<b>Color Tolerance</b>	2-SDCM
<b>Optics</b>	Diamond Facet TIR Lens: Spot 16°, Narrow 25°, Flood 38°
<b>Lumen Maintenance</b>	L90B50 >50.000h, L80B10 >60.000h
<b>Material</b>	Powder Coated Die Cast Aluminium
<b>Protection</b>	Class I, IP 20
<b>Weight</b>	~710g
<b>Colors</b>	White, Black

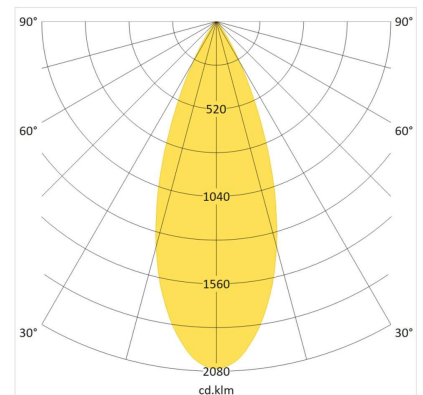
### Light Distribution



Spot 16°

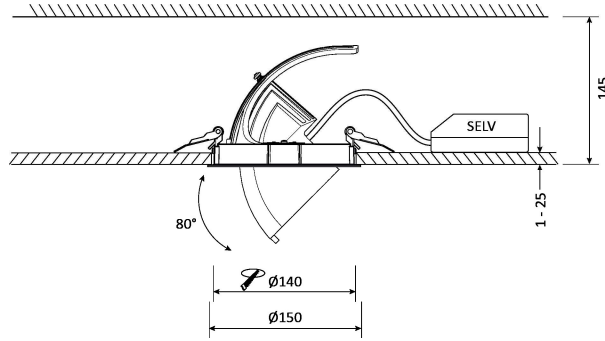


Narrow 25°



Flood 38°

## Dimensional Sketch



## Technical Performance Table

LED Type*	Input Current	COB Flux	COB Power	System Flux**	Total Consumption
CRI90+ 3000K Below BBL Efficient White	750mA	4050 Lm	26,0 W	3500 Lm	28,8 W
	650mA	3600 Lm	22,3 W	3100 Lm	24,7 W
	400mA	2300 Lm	13,3 W	2000 Lm	14,7 W
	300mA	1750 Lm	9,8 W	1550 Lm	10,8 W
CRI90+ 3500K Below BBL Efficient White	750mA	4150 Lm	26,0 W	3600 Lm	28,8 W
	650mA	3700 Lm	22,3 W	3200 Lm	24,7 W
	400mA	2350 Lm	13,3 W	2050 Lm	14,7 W
	300mA	1800 Lm	9,8 W	1550 Lm	10,8 W
CRI90+ 4000K Efficient Cool	750mA	4250 Lm	26,0 W	3700 Lm	28,8 W
	650mA	3800 Lm	22,3 W	3300 Lm	24,7 W
	400mA	2450 Lm	13,3 W	2100 Lm	14,7 W
	300mA	1850 Lm	9,8 W	1600 Lm	10,8 W

\*Light source EPREL energy efficiency class D (CRI90+ 3000K, 3500K, 4000K)

\*\*System flux based on spot light distribution

Product Family Imagery

