



Hilo-L Mini Series

Versatile, recessed downlight Hilo Mini is designed to bring both functionality and style to your retail space. When swiveled, it functions as a powerful accent lighting tool or a wall washer and when flush, it offers comfortable, yet powerful general light. With adjustable power and lumen packages, interchangeable optics, and variety of light colors, it is designed to cater all LED lighting needs for retail sector and commercial premises.

Powerful yet Discreet

Crafted with precision and attention to detail, Hilo-L Mini downlight is the perfect combination of style and performance. Albeit being visually discreet, it's efficient cooling allows a powerful max. light output, up to 3350Lm.

Interchangeable Optics

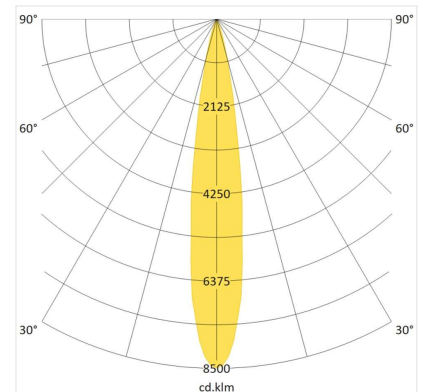
The optics within and between Hilo-L Mini and Hilo-R Mini are easily interchangeable by twist lock front-ring:

- The “-L” version uses sophisticated TIR lens technology for more concentrated light, delivering uniform light cone without color drift within the beam.
- The “-R” version uses a highly reflective, efficient aluminium reflector. Hilo-L Mini is available with honeycomb accessory.

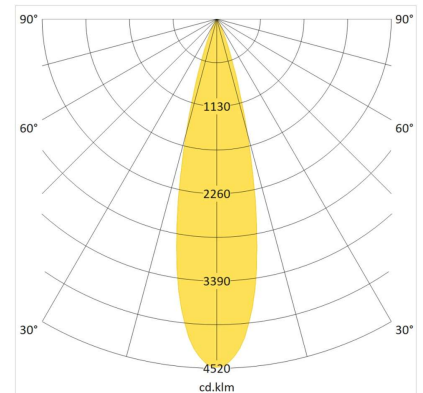
Technical Family Data

Power Range	11 – 29W (Dip Switch: 300 – 750mA)
Installation	Recessed, Ceiling Mounted
Connection	220-240Vac, 50/60Hz
Control Types	On/Off, Dimmable by Request
Color Tolerance	2-SDCM
Optics	Diamond Facet TIR Lens: Spot 16°, Narrow 25°, Flood 38°
Lumen Maintenance	L90B50 >50.000h, L80B10 >60.000h
Material	Powder Coated Die Cast Aluminium
Protection	Class I, IP 20
Weight	~710g
Colors	White, Black

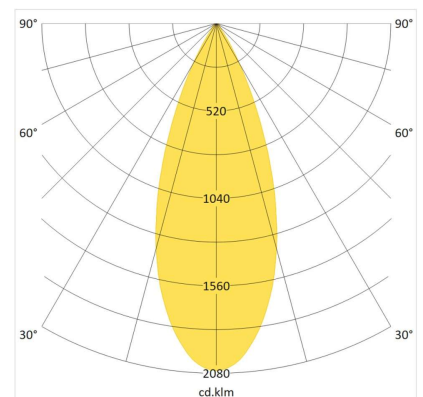
Light Distribution



Spot 16°

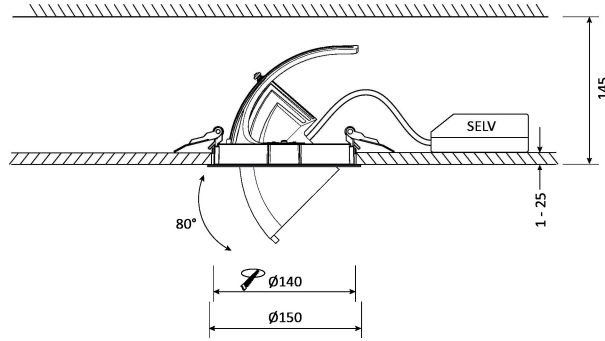


Narrow 25°



Flood 38°

Dimensional Sketch



Technical Performance Table

LED Type*	Input Current	COB Flux	COB Power	System Flux**	Total Consumption
CRI90+ 2700K Below BBL Warm White	750mA	2950 Lm	26,4 W	2550 Lm	29,3 W
	650mA	2650 Lm	22,7 W	2300 Lm	25,2 W
	400mA	1750 Lm	13,5 W	1500 Lm	15,0 W
	300mA	1350 Lm	10,0 W	1150 Lm	11,1 W
CRI90+ 3000K Below BBL Clean White	750mA	3050 Lm	26,4 W	2650 Lm	29,3 W
	650mA	2750 Lm	22,7 W	2400 Lm	25,2 W
	400mA	1800 Lm	13,5 W	1550 Lm	15,0 W
	300mA	1400 Lm	10,0 W	1200 Lm	11,1 W
CRI90+ 3500K Below BBL	750mA	3100 Lm	26,4 W	2700 Lm	29,3 W
	650mA	2800 Lm	22,7 W	2400 Lm	25,2 W
	400mA	1800 Lm	13,5 W	1600 Lm	15,0 W
	300mA	1400 Lm	10,0 W	1250 Lm	11,1 W
CRI90+ 4000K Cold White	750mA	3250 Lm	26,4 W	2800 Lm	29,3 W
	650mA	2950 Lm	22,7 W	2550 Lm	25,2 W
	400mA	1900 Lm	13,5 W	1650 Lm	15,0 W
	300mA	1500 Lm	10,0 W	1300 Lm	11,1 W
CRI80+ 3000K	750mA	3750 Lm	26,4 W	3250 Lm	29,3 W
	650mA	3350 Lm	22,7 W	2900 Lm	25,2 W
	400mA	2200 Lm	13,5 W	1900 Lm	15,0 W
	300mA	1700 Lm	10,0 W	1500 Lm	11,1 W
CRI80+ 4000K	750mA	3850 Lm	26,4 W	3350 Lm	29,3 W
	650mA	3450 Lm	22,7 W	3000 Lm	25,2 W
	400mA	2250 Lm	13,5 W	1950 Lm	15,0 W
	300mA	1750 Lm	10,0 W	1500 Lm	11,1 W

*Other light sources (Meat, Bakery) upon request. Light source EPREL energy efficiency class D (CRI80+ 3000K, 4000K), E (CRI90+ 3000K, 3500K, 4000K).

**System flux based on spot light distribution

Product Family Imagery

