



# Hilo-L HE Series

Versatile, recessed downlight Hilo champions functionality. When swiveled, it functions as a powerful accent lighting tool or a wall washer and when flush, it offers comfortable, yet powerful general light.

## Extreme Flexibility

With adjustable power and lumen packages, interchangeable optics, and variety of light colors, Hilo is designed to cater all LED lighting needs for retail sector and commercial premises. Hilo downlight is the perfect combination of style and performance, allowing you complete control over your lighting needs. HE stands for High Efficiency, delivering best-in-class energy efficiency at CRI90+ Below BBL Efficient White light.

## Interchangeable Optics

The optics within and between Hilo -R and -L are easily interchangeable by twist lock front-ring:

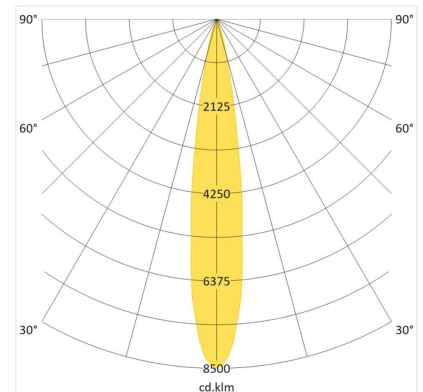
- The “-L” version uses sophisticated TIR lens technology for more concentrated light, delivering uniform light cone without color drift within the beam.
- The “-R” version uses a highly reflective, efficient aluminium reflector.

Hilo-L HE is available with honeycomb accessory.

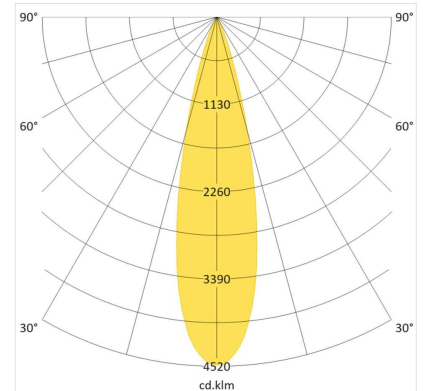
## Technical Family Data

<b>Power Range</b>	11 – 42W (Dip Switch: 300 – 1050mA)
<b>Installation</b>	Recessed, Ceiling Mounted
<b>Connection</b>	220-240Vac, 50/60Hz
<b>Control Types</b>	On/Off, Dimmable by Request
<b>Color Tolerance</b>	2-SDCM
<b>Optics</b>	Diamond Facet TIR Lens: Spot 16°, Narrow 25°, Flood 38°
<b>Lumen Maintenance</b>	L90B50 >50.000h, L80B10 >60.000h
<b>Material</b>	Powder Coated Die Cast Aluminium
<b>Protection</b>	Class I, IP 20
<b>Weight</b>	~1170g
<b>Colors</b>	White, Black

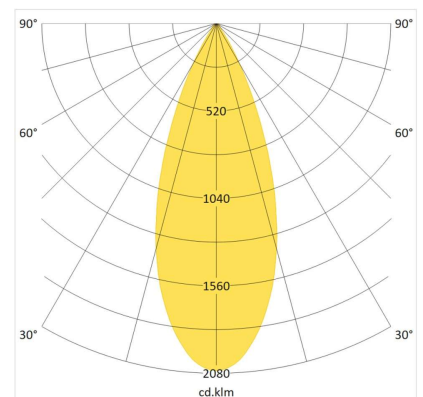
## Light Distribution



Spot 16°

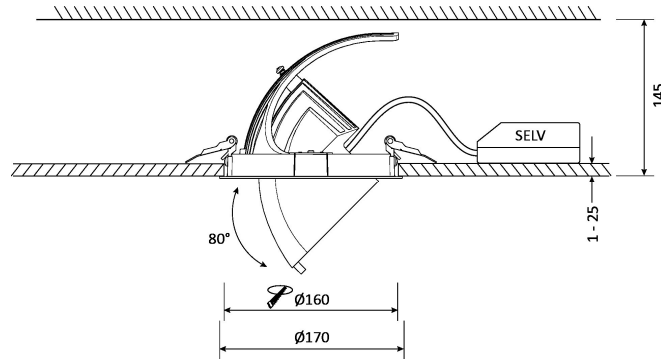


Narrow 25°



Flood 38°

## Dimensional Sketch



## Technical Performance Table

LED Type*	Input Current	COB Flux	COB Power	System Flux**	Total Consumption
CRI90+ 3000K Below BBL Efficient White	1050mA	5500 Lm	37,8 W	4750 Lm	42,0 W
	850mA	4600 Lm	29,9 W	4000 Lm	33,2 W
	650mA	3650 Lm	22,3 W	3150 Lm	24,8 W
	400mA	2350 Lm	13,3 W	2050 Lm	14,8 W
	300mA	1800 Lm	9,9 W	1550 Lm	11,0 W
CRI90+ 3500K Below BBL Efficient White	1050mA	5600 Lm	37,8 W	4850 Lm	42,0 W
	850mA	4750 Lm	29,9 W	4100 Lm	33,2 W
	650mA	3750 Lm	22,3 W	3250 Lm	24,8 W
	400mA	2400 Lm	13,3 W	2100 Lm	14,8 W
	300mA	1850 Lm	9,9 W	1600 Lm	11,0 W
CRI90+ 4000K Efficient Cool	1050mA	5750 Lm	37,8 W	5000 Lm	42,0 W
	850mA	4850 Lm	29,9 W	4200 Lm	33,2 W
	650mA	3850 Lm	22,3 W	3350 Lm	24,8 W
	400mA	2450 Lm	13,3 W	2150 Lm	14,8 W
	300mA	1850 Lm	9,9 W	1600 Lm	11,0 W

\*Light source EPREL energy efficiency class D (CRI90+ 3000K, 3500K, 4000K)

\*\*System flux based on spot light distribution

Product Family Imagery

