



Relay-R Series

Relay is a modular recessed downlight system with a snap-in installation of the light module into the ceiling frame (single, double or triple), allowing fast and simple installation. For distributors, this enables minimization of stock keeping units while maximizing the versatility of the multi-purpose lighting tool.

Minimalistic yet Powerful

Relay-R is small and beautiful, yet it's sturdy cooling allows a powerful max. light output of up to 4600Lm per light module which swivel up to 30° in any direction, performing both accent and general lighting tasks.

Interchangeable Optics

The optics within and between Relay -R and -L are easily interchangeable by twist lock front-ring:

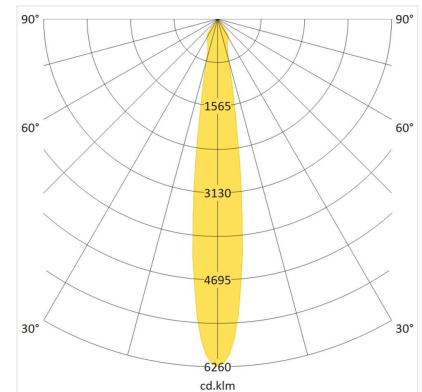
- The “-R” version uses a highly reflective, efficient aluminium reflector.
- The “-L” version uses sophisticated TIR lens technology for more concentrated light, delivering uniform light cone without color drift within the beam.

Relay-R is supplied with protective cover glass and is available with honeycomb accessory.

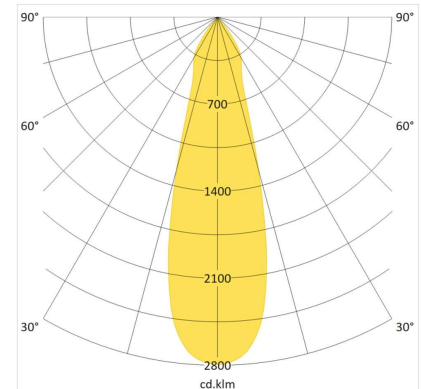
Technical Family Data

Power Range	11 – 43W (Dip Switch: 300 – 1050mA)
Installation	Recessed, Ceiling Mounted
Connection	220-240Vac, 50/60Hz
Control Types	On/Off, Dimmable by Request
Color Tolerance	2-SDCM
Optics	High Efficiency Reflector: Spot 15°, Narrow 28°, Flood 37°
Lumen Maintenance	L90B50 >50.000h, L80B10 >60.000h
Material	Powder Coated Die Cast Aluminium
Protection	Class I, IP 20
Weight	~940g Single, ~1830g Double, 2720g Triple
Colors	White, Black

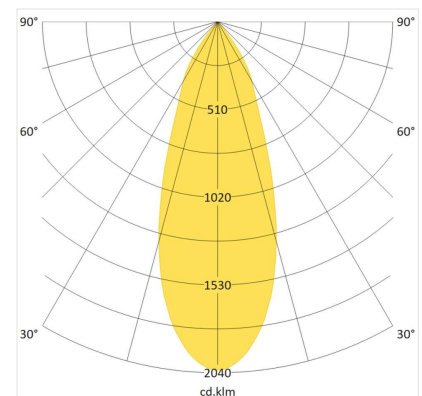
Light Distribution



Spot 15°



Narrow 28°

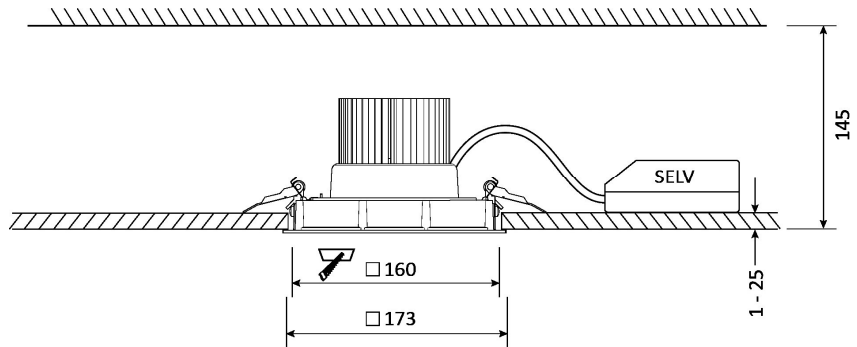


Flood 37°

Dimensional Sketch

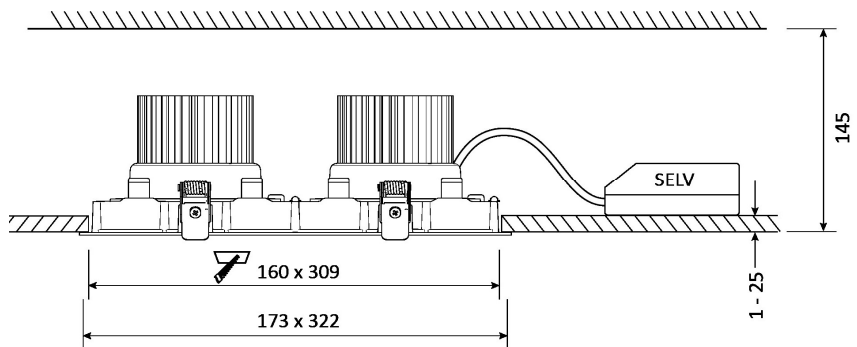
Relay Single

1x Lighting Unit



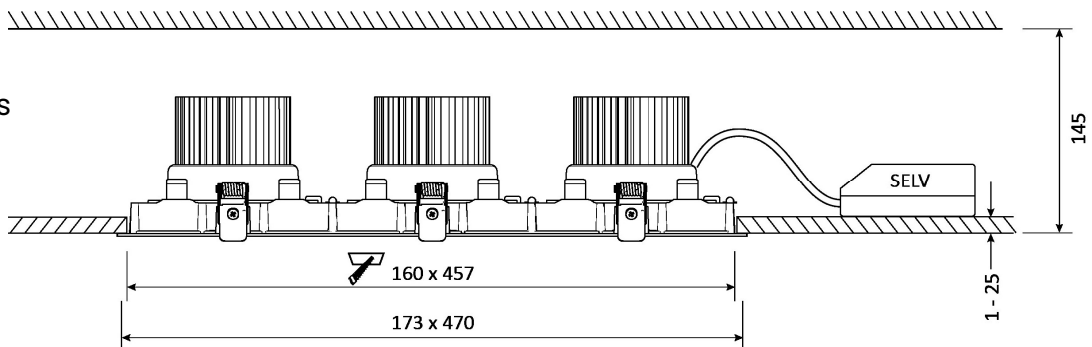
Relay Double

2x Lighting Units

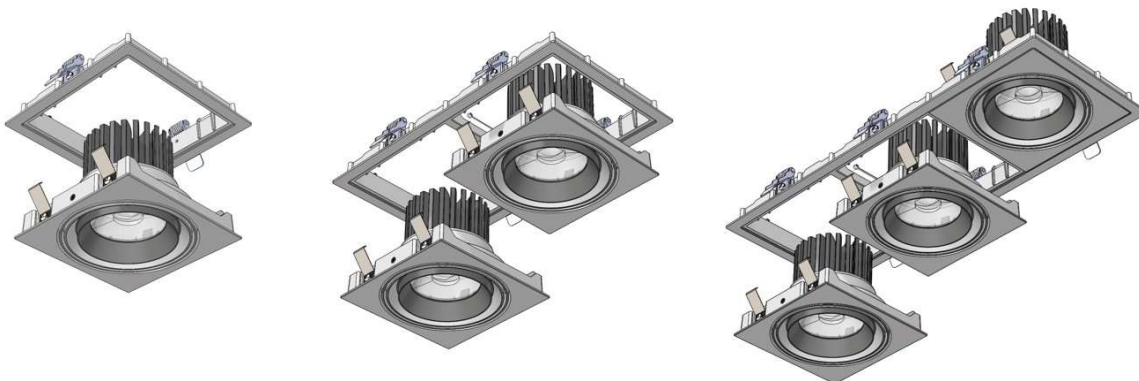


Relay Triple

3x Lighting Units



Modular lighting units snap in and out of the ceiling frame (Single, Double, or Triple):



Technical Performance Table

Performance data per single light unit.

Double and Triple versions consist of 2x and 3x lighting units.

LED Type*	Input Current	COB Flux	COB Power	System Flux**	Total Consumption
CRI90+ 2700K Below BBL Warm White	1050mA	3900 Lm	38,5 W	3500 Lm	42,7 W
	850mA	3350 Lm	30,6 W	3000 Lm	34,0 W
	650mA	2700 Lm	22,8 W	2400 Lm	25,3 W
	400mA	1750 Lm	13,6 W	1600 Lm	15,1 W
	300mA	1350 Lm	10,0 W	1200 Lm	11,1 W
CRI90+ 3000K Below BBL Clean White	1050mA	4100 Lm	38,5 W	3650 Lm	42,7 W
	850mA	3500 Lm	30,6 W	3100 Lm	34,0 W
	650mA	2800 Lm	22,8 W	2500 Lm	25,3 W
	400mA	1850 Lm	13,6 W	1650 Lm	15,1 W
	300mA	1400 Lm	10,0 W	1250 Lm	11,1 W
CRI90+ 3500K Below BBL	1050mA	4150 Lm	38,5 W	3700 Lm	42,7 W
	850mA	3550 Lm	30,6 W	3150 Lm	34,0 W
	650mA	2850 Lm	22,8 W	2550 Lm	25,3 W
	400mA	1850 Lm	13,6 W	1650 Lm	15,1 W
	300mA	1450 Lm	10,0 W	1300 Lm	11,1 W
CRI90+ 4000K Cold White	1050mA	4350 Lm	38,5 W	3900 Lm	42,7 W
	850mA	3700 Lm	30,6 W	3350 Lm	34,0 W
	650mA	3000 Lm	22,8 W	2700 Lm	25,3 W
	400mA	1950 Lm	13,6 W	1750 Lm	15,1 W
	300mA	1500 Lm	10,0 W	1350 Lm	11,1 W
CRI80+ 3000K	1050mA	5000 Lm	38,5 W	4500 Lm	42,7 W
	850mA	4300 Lm	30,6 W	3850 Lm	34,0 W
	650mA	3450 Lm	22,8 W	3100 Lm	25,3 W
	400mA	2250 Lm	13,6 W	2000 Lm	15,1 W
	300mA	1750 Lm	10,0 W	1600 Lm	11,1 W
CRI80+ 4000K	1050mA	5150 Lm	38,5 W	4600 Lm	42,7 W
	850mA	4400 Lm	30,6 W	3950 Lm	34,0 W
	650mA	3550 Lm	22,8 W	3150 Lm	25,3 W
	400mA	2300 Lm	13,6 W	2050 Lm	15,1 W
	300mA	1750 Lm	10,0 W	1600 Lm	11,1 W

*Other light sources (Meat, Bakery) upon request. Light source EPREL energy efficiency class D (CRI80+ 3000K, 4000K), E (CRI90+ 3000K, 3500K, 4000K).

**System flux based on spot light distribution

Product Family Imagery

