

# Relay-L Series

Relay is a modular recessed downlight system with a snap-in installation of the light module into the ceiling frame (single, double or triple), allowing fast and simple installation. For distributors, this enables minimization of stock keeping units while maximizing the versatility of the multi-purpose lighting tool.

### Minimalistic yet Powerful

Relay-L is small and beautiful, yet it's sturdy cooling allows a powerful max. light output of up to 4450Lm per light module which swivel up to 30° in any direction, performing both accent and general lighting tasks.

### Interchangeable Optics

The optics within and between Relay -L and -R are easily interchangeable by twist lock front-ring:

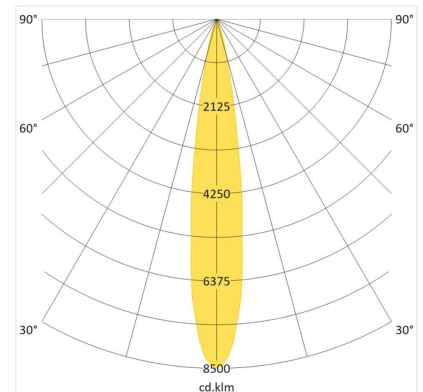
- The “-L” version uses sophisticated TIR lens technology for more concentrated light, delivering uniform light cone without color drift within the beam.
- The “-R” version uses a highly reflective, efficient aluminium reflector.

Relay-L is available with honeycomb accessory.

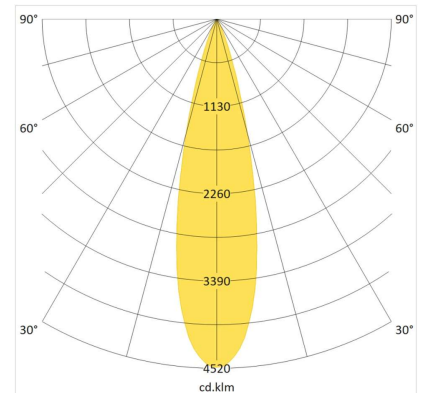
### Technical Family Data

<b>Power Range</b>	11 – 43W (Dip Switch: 300 – 1050mA)
<b>Installation</b>	Recessed, Ceiling Mounted
<b>Connection</b>	220-240Vac, 50/60Hz
<b>Control Types</b>	On/Off, Dimmable by Request
<b>Color Tolerance</b>	2-SDCM
<b>Optics</b>	Diamond Facet TIR Lens: Spot 16°, Narrow 25°, Flood 38°
<b>Lumen Maintenance</b>	L90B50 >50.000h, L80B10 >60.000h
<b>Material</b>	Powder Coated Die Cast Aluminium
<b>Protection</b>	Class I, IP 20
<b>Weight</b>	~960g Single, ~1870g Double, ~2780g Triple
<b>Colors</b>	White, Black

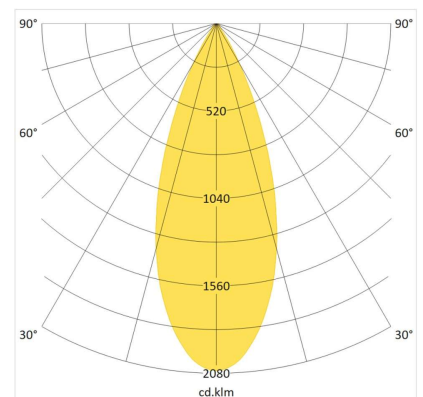
### Light Distribution



Spot 16°

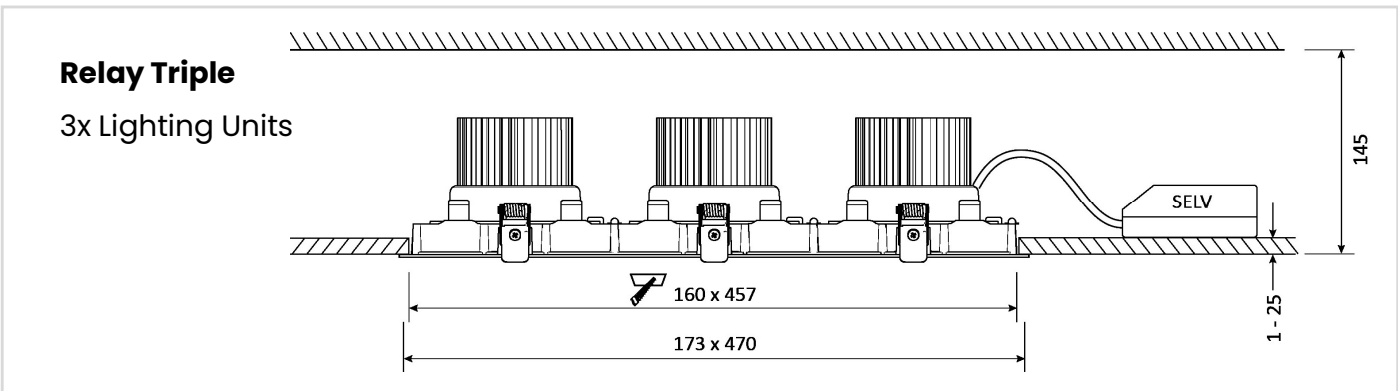
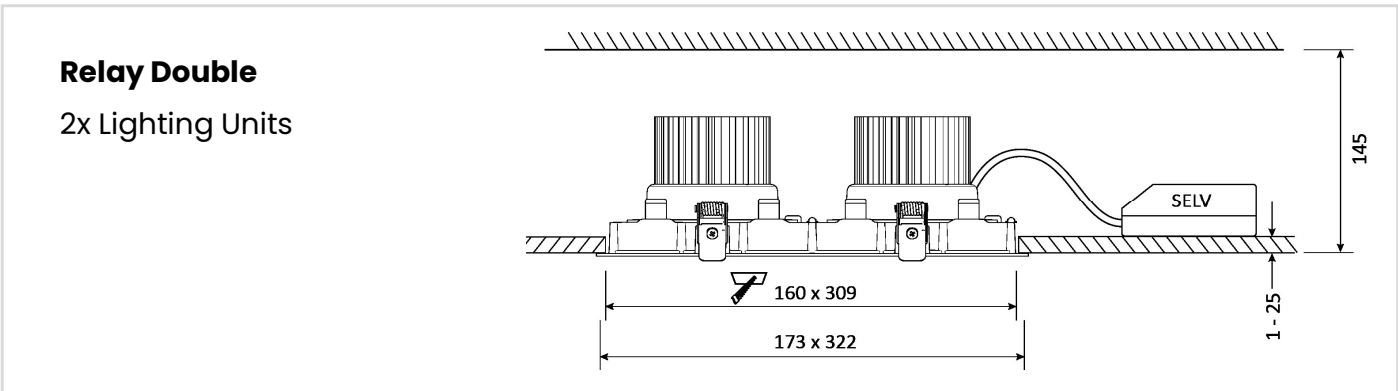
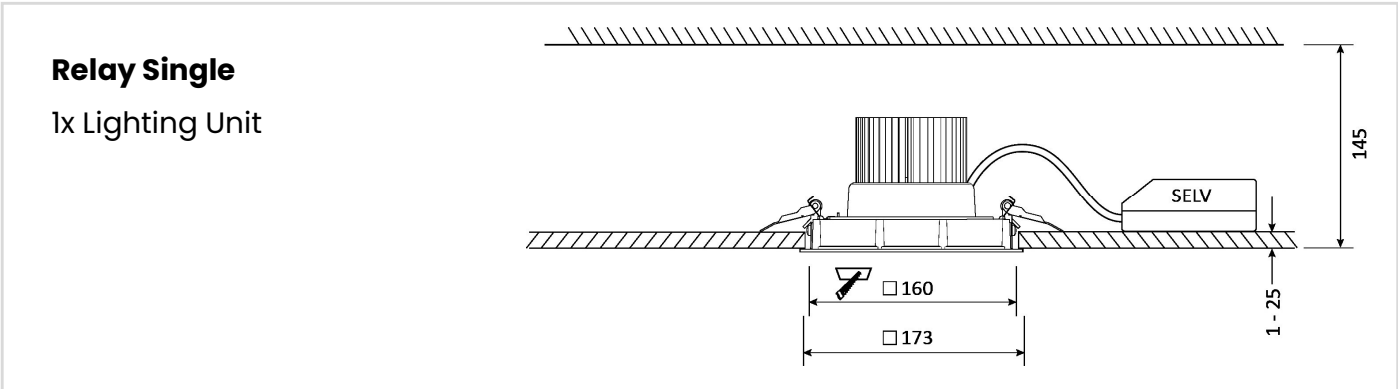


Narrow 25°

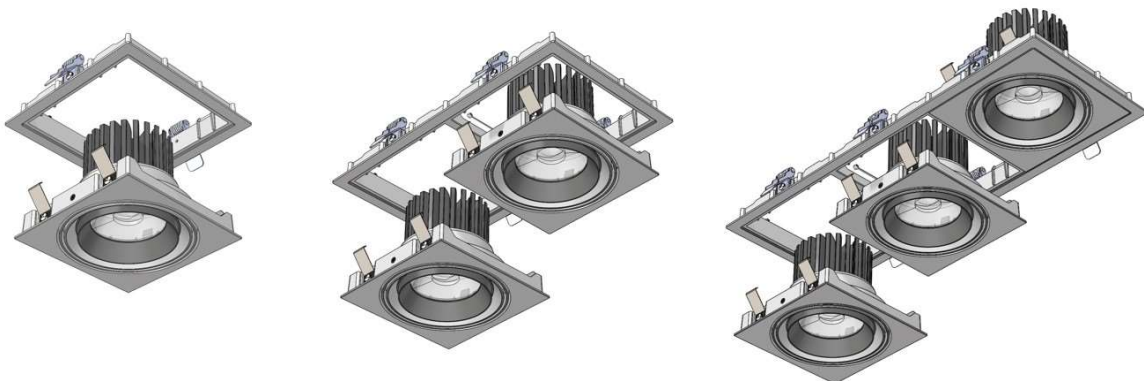


Flood 38°

Dimensional Sketch



Modular lighting units snap in and out of the ceiling frame (Single, Double, or Triple):



## Technical Performance Table

Performance data per single light unit.

Double and Triple versions consist of 2x and 3x lighting units.

LED Type*	Input Current	COB Flux	COB Power	System Flux**	Total Consumption
CRI90+ 2700K Below BBL Warm White	1050mA	3900 Lm	38,5 W	3400 Lm	42,7 W
	850mA	3350 Lm	30,6 W	2900 Lm	34,0 W
	650mA	2700 Lm	22,8 W	2350 Lm	25,3 W
	400mA	1750 Lm	13,6 W	1500 Lm	15,1 W
	300mA	1350 Lm	10,0 W	1150 Lm	11,1 W
CRI90+ 3000K Below BBL Clean White	1050mA	4100 Lm	38,5 W	3550 Lm	42,7 W
	850mA	3500 Lm	30,6 W	3000 Lm	34,0 W
	650mA	2800 Lm	22,8 W	2450 Lm	25,3 W
	400mA	1850 Lm	13,6 W	1600 Lm	15,1 W
	300mA	1400 Lm	10,0 W	1200 Lm	11,1 W
CRI90+ 3500K Below BBL	1050mA	4150 Lm	38,5 W	3600 Lm	42,7 W
	850mA	3550 Lm	30,6 W	3050 Lm	34,0 W
	650mA	2850 Lm	22,8 W	2450 Lm	25,3 W
	400mA	1850 Lm	13,6 W	1600 Lm	15,1 W
	300mA	1450 Lm	10,0 W	1250 Lm	11,1 W
CRI90+ 4000K Cold White	1050mA	4350 Lm	38,5 W	3800 Lm	42,7 W
	850mA	3700 Lm	30,6 W	3200 Lm	34,0 W
	650mA	3000 Lm	22,8 W	2600 Lm	25,3 W
	400mA	1950 Lm	13,6 W	1700 Lm	15,1 W
	300mA	1500 Lm	10,0 W	1300 Lm	11,1 W
CRI80+ 3000K	1050mA	5000 Lm	38,5 W	4350 Lm	42,7 W
	850mA	4300 Lm	30,6 W	3700 Lm	34,0 W
	650mA	3450 Lm	22,8 W	3000 Lm	25,3 W
	400mA	2250 Lm	13,6 W	1950 Lm	15,1 W
	300mA	1750 Lm	10,0 W	1500 Lm	11,1 W
CRI80+ 4000K	1050mA	5150 Lm	38,5 W	4450 Lm	42,7 W
	850mA	4400 Lm	30,6 W	3800 Lm	34,0 W
	650mA	3550 Lm	22,8 W	3050 Lm	25,3 W
	400mA	2300 Lm	13,6 W	2000 Lm	15,1 W
	300mA	1750 Lm	10,0 W	1550 Lm	11,1 W

\*Other light sources (Meat, Bakery) upon request. Light source EPREL energy efficiency class D (CRI80+ 3000K, 4000K), E (CRI90+ 3000K, 3500K, 4000K).

\*\*System flux based on spot light distribution

Product Family Imagery

