

Relay-L HE Series

Relay is a modular recessed downlight system with a snap-in installation of the light module into the ceiling frame (single, double or triple), allowing fast and simple installation. For distributors, this enables minimization of stock keeping units while maximizing the versatility of the multi-purpose lighting tool.

Minimalistic yet Powerful

Relay-L HE is small and beautiful, yet it's sturdy cooling allows a powerful max. light output of up to 5000Lm per light module which swivel up to 30° in any direction, performing both accent and general lighting tasks. HE stands for High Efficiency, representing best-in-class energy efficiency at CRI90+ Below BBL Efficient White light.

Interchangeable Optics

The optics within and between Relay -L HE and -R HE are easily interchangeable by twist lock front-ring:

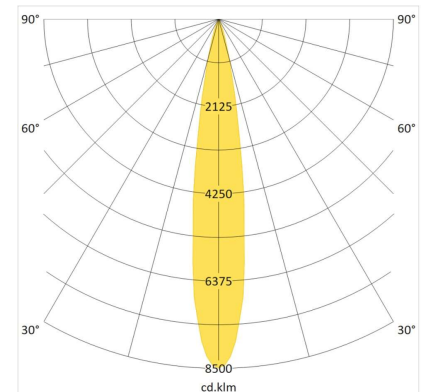
- The “-L” version uses sophisticated TIR lens technology for more concentrated light, delivering uniform light cone without color drift within the beam.
- The “-R” version uses a highly reflective, efficient aluminium reflector.

Relay-L HE is available with honeycomb accessory.

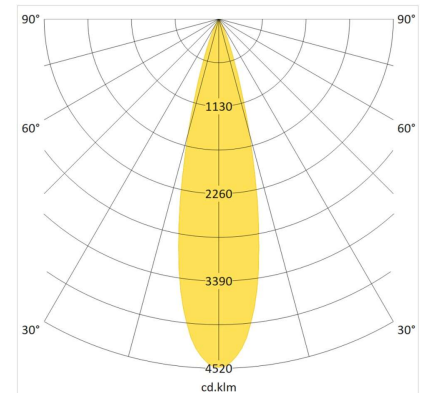
Technical Family Data

Power Range	11 – 42W (Dip Switch: 300 – 1050mA)
Installation	Recessed, Ceiling Mounted
Connection	220-240Vac, 50/60Hz
Control Types	On/Off, Dimmable by Request
Color Tolerance	2-SDCM
Optics	Diamond Facet TIR Lens: Spot 16°, Narrow 25°, Flood 38°
Lumen Maintenance	L90B50 >50.000h, L80B10 >60.000h
Material	Powder Coated Die Cast Aluminium
Protection	Class I, IP 20
Weight	~960g Single, ~1870g Double, ~2780g Triple
Colors	White, Black

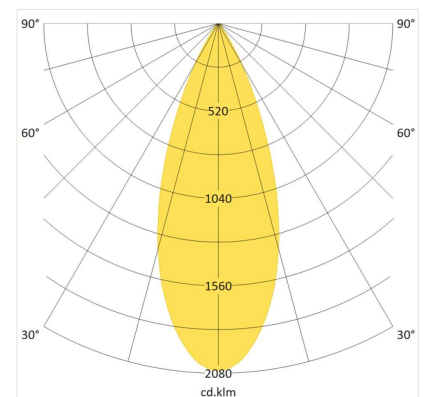
Light Distribution



Spot 16°



Narrow 25°

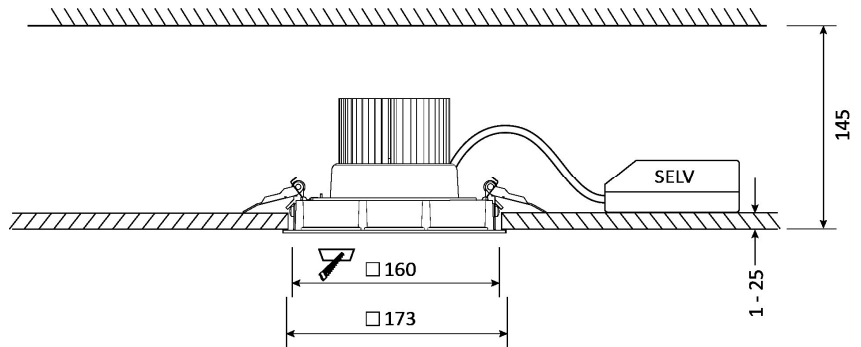


Flood 38°

Dimensional Sketch

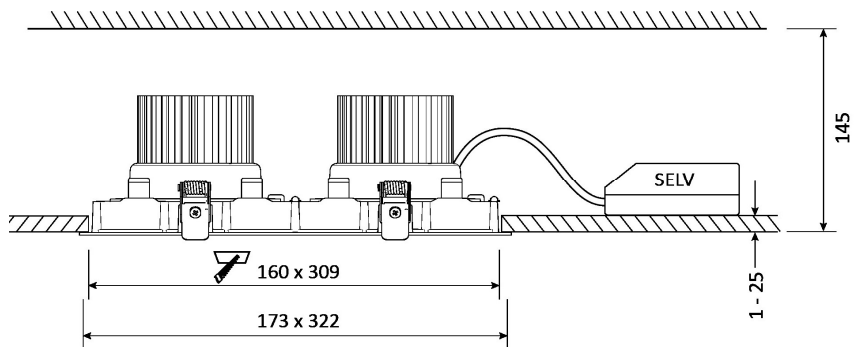
Relay Single

1x Lighting Unit



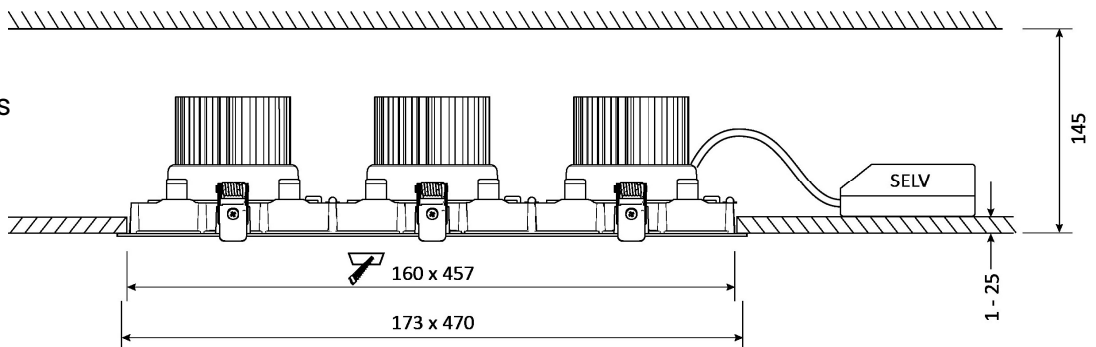
Relay Double

2x Lighting Units

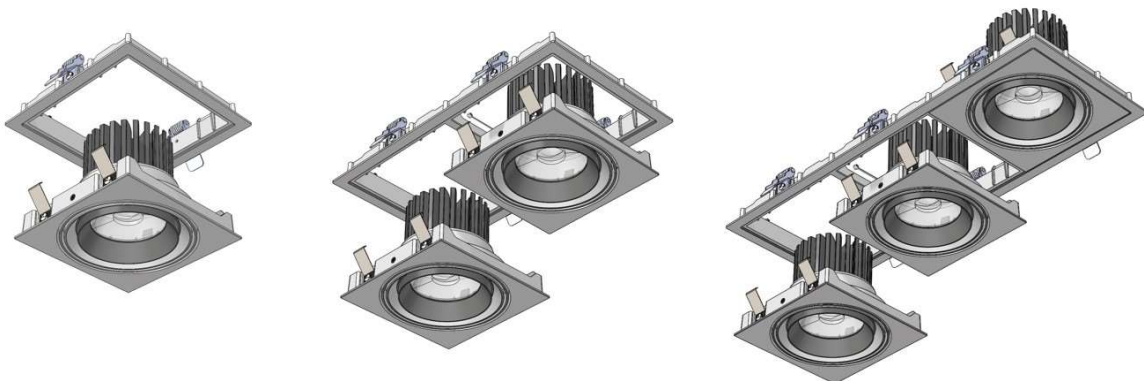


Relay Triple

3x Lighting Units



Modular lighting units snap in and out of the ceiling frame (Single, Double, or Triple):



Technical Performance Table

Performance data per single light unit.

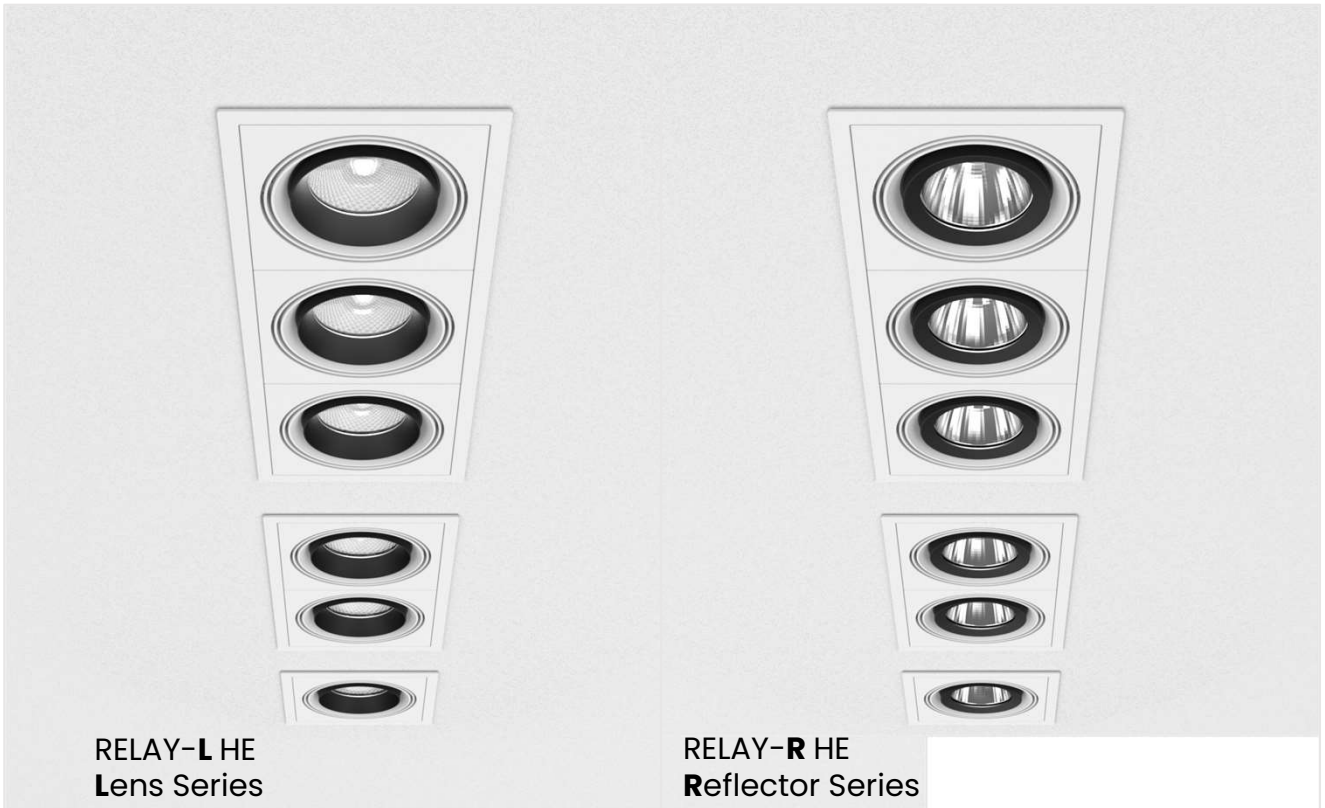
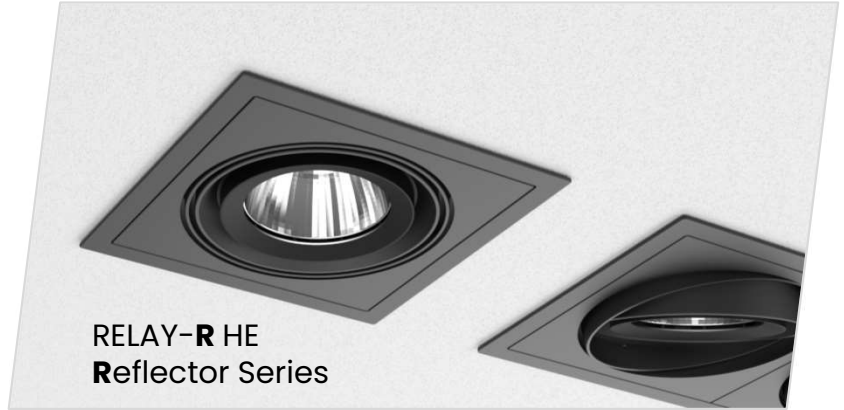
Double and Triple versions consist of 2x and 3x lighting units.

LED Type*	Input Current	COB Flux	COB Power	System Flux**	Total Consumption
CRI90+ 3000K Below BBL Efficient White	1050mA	5500 Lm	37,8 W	4750 Lm	42,0 W
	850mA	4600 Lm	29,9 W	4000 Lm	33,2 W
	650mA	3650 Lm	22,3 W	3150 Lm	24,8 W
	400mA	2350 Lm	13,3 W	2050 Lm	14,8 W
	300mA	1800 Lm	9,9 W	1550 Lm	11,0 W
CRI90+ 3500K Below BBL Efficient White	1050mA	5600 Lm	37,8 W	4850 Lm	42,0 W
	850mA	4750 Lm	29,9 W	4100 Lm	33,2 W
	650mA	3750 Lm	22,3 W	3250 Lm	24,8 W
	400mA	2400 Lm	13,3 W	2100 Lm	14,8 W
	300mA	1850 Lm	9,9 W	1600 Lm	11,0 W
CRI90+ 4000K Efficient Cool	1050mA	5750 Lm	37,8 W	5000 Lm	42,0 W
	850mA	4850 Lm	29,9 W	4200 Lm	33,2 W
	650mA	3850 Lm	22,3 W	3350 Lm	24,8 W
	400mA	2450 Lm	13,3 W	2150 Lm	14,8 W
	300mA	1850 Lm	9,9 W	1600 Lm	11,0 W

*Light source EPREL energy efficiency class D (CRI90+ 3000K, 3500K, 4000K)

**System flux based on spot light distribution

Product Family Imagery



Updated: 25/09/2023 (DD/MM/YYYY)